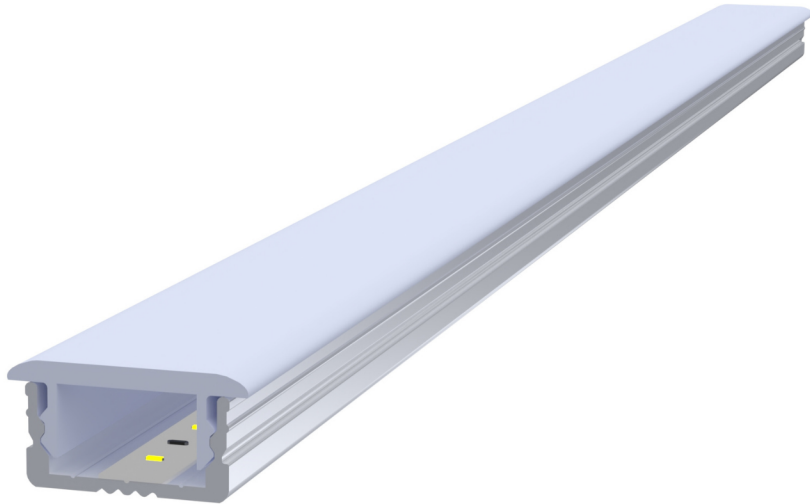
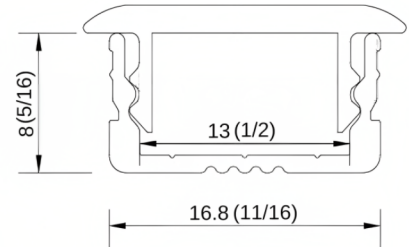


# LUMITRACK FLANGE LED FIXTURE



Unit: mm (inch)



## Product Features

<b>Color/CCT</b>	3000K, 4000K, 5000K, 6000K
<b>Input Voltage</b>	24 VDC (Requires External Class 2 Power Supply)
<b>Dimming Protocol</b>	PWM, 0-10V, Triac, DMX, DALI
<b>Dimensions:</b>	16.8 mm (W) x 8 mm (H)   11/16 in (W) x 5/16 in (H)
<b>Aperture Width</b>	16.8 mm   11/16 in
<b>Standard Lengths</b>	600mm(23 ), 1000mm (13), 1200mm (4ft), 1500mm (5ft), 1800mm (6ft), 2000mm (6ft 6in), Custom*
<b>Lumens</b>	(based on 3000K): LTF-LUX6 446 lm/m, LTF-LUX10 779 lm/m, LTF-LUX14 1092 lm/m
<b>Beam Angle</b>	180°
<b>Operational Temperature</b>	Operating Temperature: -20°C (-4°F) to 60°C (140°F)
<b>Key Design Features</b>	Diffused Lighting. High Thermal Management, Diffused Flange.
<b>Certifications</b>	CE, RoHS, ETL (Components)
<b>Lifespan</b>	50,000 Hours

## ORDERING CODE

SERIES	CCT	WATTAGE	LENGTH
LTF	30	LUX6	6
LUMITRACK FLANGE (LTF)	3000K (30) 4000K (40) 5000K (50) 6000K (60) RGB+3000K (RGB30)* RGB+5000K (RGB50)*	6 W/m (LUX6) 10 W/m (LUX10) 14 W/m (LUX14) 22 W/m (CFS30) 22 W/m (CFS50)	600 mm (6) 1000 mm (10) 1200 mm (12) 1500 mm (15) 1800 mm (18) 2000 mm (20) 2400 mm (24) 3000 mm (30) Custom***

\*RGB+3000K and RGB+5000K Models are only available in 22 W/m.

\*\*If a CCT is not available please advise our Sales Team and we can customize any required CCT. Previous customised CCT included 2200K, 2400K, 2700K and 10000K.

\*\*\*Custom Lengths are available up to the highest available dimension.

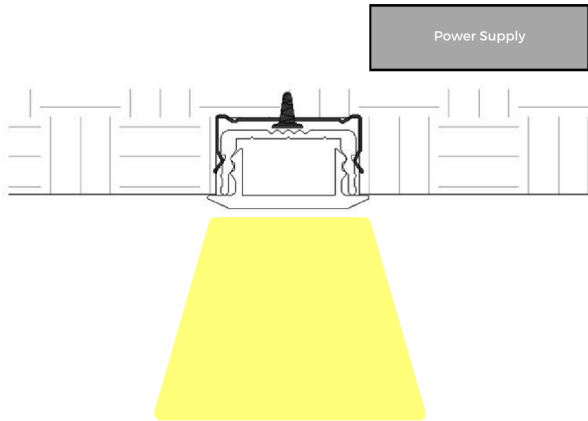
## Product Specifications

SKU	Lumens	Luminous Efficiency	CRI
LTF-30LUX6	446 lm/m (136 lm/ft)	74 lm/W	90
LTF-40LUX6	513 lm/m (156 lm/ft)	86 lm/W	90
LTF-50LUX6	518 lm/m (157 lm/ft)	86 lm/W	90
LTF-60LUX6	513 lm/m (156 lm/ft)	86 lm/W	90
LTF-30LUX10	779 lm/m (236 lm/ft)	78 lm/W	90
LTF-40LUX10	876 lm/m (265 lm/ft)	88 lm/W	90
LTF-50LUX10	890 lm/m (269 lm/ft)	89 lm/W	90
LTF-60LUX10	876 lm/m (265 lm/ft)	88 lm/W	90

## Product Specifications

SKU	Lumens	Luminous Efficiency	CRI
LTF-30LUX14	1092 lm/m (330 lm/ft)	78 lm/W	90
LTF-40LUX14	1225 lm/m (370 lm/ft)	88 lm/W	90
LTF-50LUX14	1246 lm/m (376 lm/ft)	89 lm/W	90
LTF-60LUX14	1225 lm/m (370 lm/ft)	88 lm/W	90
LTF-RGB30CFS30	470 lm/m (143 lm/ft)	21 lm/W	90
LTF-RGB50CFS50	500 lm/m (152 lm/ft)	23 lm/W	90

## Product Configuration



**Remote Power Supply:**  
External from fixture, must use voltage calculation for maximum distance and wire gauge. Dimmable and Non-Dimmable. Power supply must be accessible and well ventilated.

## Electrical Specifications

Input Voltage (Non-Dimmable): 110-240 VAC

Input Voltage (Dimmable): 120 VAC

Maximum Serial Connection: 5 m (16 ft)

Maximum lights per breaker, please see chart

below:

	LTF-30/40/50/60LUX6	LTF-30/40/50/60LUX10	LTF-30/40/50/60LUX14	LTF-RGB30/50-CFS
15A Breaker	300 M or 984 Ft	180 M or 590 Ft	128 M or 419 Ft	81 M or 265 Ft
20A Breaker	400 M or 1312 Ft	240 M or 787 Ft	170 M or 557 Ft	109 M or 357 Ft

Based on 120V

Fixture must be installed by a qualified and licensed electrician in accordance with all national and local electrical codes and regulations. If there are concerns about any information in this document please contact us before installation.

**WARNING: DO NOT HANDLE FIXTURES BY WIRES. Do not attempt to install or use without reading the installation instructions and safety labels.**

This could result in permanent damage to both the fixture and the cables. Damage resulting from grasping the cables will not be covered under warranty .

**DANGER:** To reduce the risk of electrical shock, always unplug the device or switch off break.

To reduce the risk of burn:

- Use light fixture only of its intended use as described in these instructions.
- Do not use attachments not recommended by Caribbean LED Solutions.
- Do not modify or try to open the fixture.
- Never operate the light if it has a damaged cord, cable or plug, if it not working properly, if it has been dropped or damaged, or dropped into water. If the seal appears to be damaged/broken/torn return the fixture to a service center for examination or repair.
- Keep cables away from heated surfaces.
- Never drop or insert any object into any opening.
- Do not operate where aerosol (spray) products are being used or where oxygen is being administered.
- Always refer to maximum amperage ratings per device when integrating control components.

# VOLTAGE DROP GUIDE

## 12 VDC Single Color LED Flexistrip

Wattage	AWG 10	AWG 12	AWG 14	AWG 16	AWG 18	AWG 20	AWG 22
<b>20 W</b>	70.1 m (230 ft)	44.2 m (145 ft)	27.7 m (91 ft)	17.3 m (57 ft)	11 m (36 ft)	7 m (23 ft)	4.2 m (14 ft)
<b>40 W</b>	35.6 m (117 ft)	22.2 m (73 ft)	13.7 m (45 ft)	8.8 m (29 ft)	5.4 m (18 ft)	3.3 m (11 ft)	2.1 m (7 feet)
<b>60 W</b>	23.7 m (78 ft)	14.3 m (47 ft)	9.1 m (30 ft)	5.7 m (19 ft)	3.6 m (12 ft)	2.1 m (7 ft)	1.2 m (4 ft)
<b>80 W</b>	19.8 m (65 ft)	12.1 m (40 ft)	7.6 m (25 ft)	4.8 m (16 ft)	3 m (10 ft)	1.8 m (6 ft)	1.2 m (4 ft)
<b>100 W</b>	13.7 m (45 ft)	8.8 m (29 ft)	5.4 m (18 ft)	3.3 m (11 ft)	2.1 m (7 ft)	1.2 m (4 ft)	0.9 m (3 ft)

\*Calculations are based 8% voltage drop to 11 VDC.

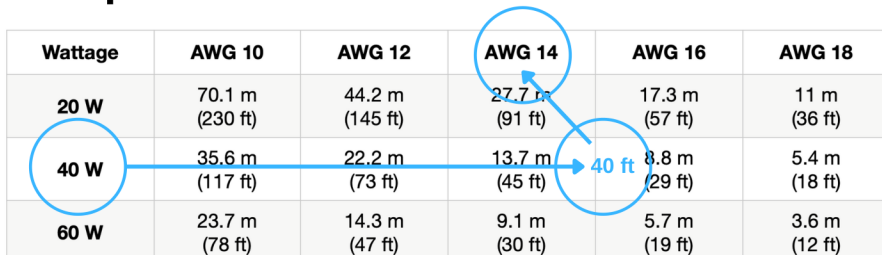
## 24 VDC Single Color LED Flexisrip

Wattage	AWG 10	AWG 12	AWG 14	AWG 16	AWG 18	AWG 20	AWG 22
<b>20 W</b>	274.3 m (900 ft)	182.8 m (600 ft)	121.9 m (400 ft)	76.2 m (250 ft)	45.7 m (150 ft)	22.8 m (75 ft)	15.2 m (50 ft)
<b>40 W</b>	137.1 m (450 ft)	91.4 m (300 ft)	61 m (200 ft)	36.5 m (120 ft)	21.3 m (70 ft)	13.7 m (45 ft)	9.1 m (30 feet)
<b>60 W</b>	91.4 m (300 ft)	59.4 m (195 ft)	36.5 m (120 ft)	23.1 m (76 ft)	14.6 m (48 ft)	9.1 m (30 ft)	5.8 (19 ft)
<b>80 W</b>	70.1 m (230 ft)	44.2 m (145 ft)	27.4 m (90 ft)	17.3 m (57 ft)	11 m (36 ft)	7 m (23 ft)	4 m (13 ft)
<b>100 W</b>	56 m (184 ft)	35.3 m (116 ft)	22.2 m (73 ft)	14 m (46 ft)	8.8 m (29 ft)	5.7 m (19 ft)	3.3 m (11 ft)

\*Calculations are based 8% voltage drop to 22 VDC.

### Example:

Wattage	AWG 10	AWG 12	AWG 14	AWG 16	AWG 18
<b>20 W</b>	70.1 m (230 ft)	44.2 m (145 ft)	27.7 m (91 ft)	17.3 m (57 ft)	11 m (36 ft)
<b>40 W</b>	35.6 m (117 ft)	22.2 m (73 ft)	13.7 m (45 ft)	8.8 m (29 ft)	5.4 m (18 ft)
<b>60 W</b>	23.7 m (78 ft)	14.3 m (47 ft)	9.1 m (30 ft)	5.7 m (19 ft)	3.6 m (12 ft)



This voltage drop chart estimates the appropriate wire gauge to use based on power consumption (watts) and distance to the luminary. Use the charts above to identify the recommended wire gauge by finding the intersection of the rounded up wattage of your LED luminary and the distance to your power supply. *Note that these charts give an estimation and final calculations must be verified by an engineer or a licensed electrician.*

## POWER SUPPLIES

### Plug-In Power Supply



**PART NAME:** Power Supply Adaptor Series  
 Input: 120-240 VAC, 50/60 Hz, US Plug Type  
**SKU:**  
 A601260 (60W 12V Model)  
 A92496 (96W 24V Model)

### Hardwire Power Supply Indoor



**PART NAME:** Power Supply Slim Series  
 Input: 120-240 VAC, 50/60 Hz  
**SKU:**  
 S1220 (20W 12V Model) | S2420 (20W 24V Model)  
 S1230 (30W 12V Model) | S2430 (30W 24V Model)  
 S1240 (40W 12V Model) | S2440 (40W 24V Model)

### Hardwire Power Supply Outdoor



**PART NAME:** Power Supply Meanwell LPV Series  
 Input: 90-264 VAC, 50/60 Hz  
**SKU:**  
 LPV1260 (60W 12V Model) | LPV2460 (60W 24V Model)  
 LPV12100 (100W 12V Model) | LPV24100 (100W 24V Model)

### Switching Power Supply



**PART NAME:** Power Supply Switching LRS Series  
 Input: 120-240 VAC, 50/60 Hz  
**SKU:**  
 LRS12150 (150W 12V Model) | LRS24150 (150W 24V Model)  
 LRS12200 (200W 12V Model) | LRS24200 (200W 24V Model)  
 LRS12350 (350W 12V Model) | LRS24350 (350W 24V Model)

### Universal Dimming Power Supply



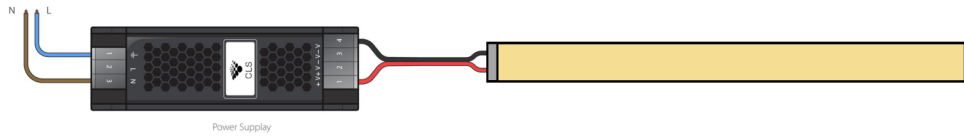
**PART NAME:** Power Supply Universal Dimming  
 Input: 110-277 VAC, 50/60 Hz. Supports Triac, 0-10V, 1-10V, PWM & Potentiometer Dimming  
**SKU:**  
 UV24962 (96W 24V Model)  
 UV1502467 (150W 24V Model)

# WIRING DIAGRAMS

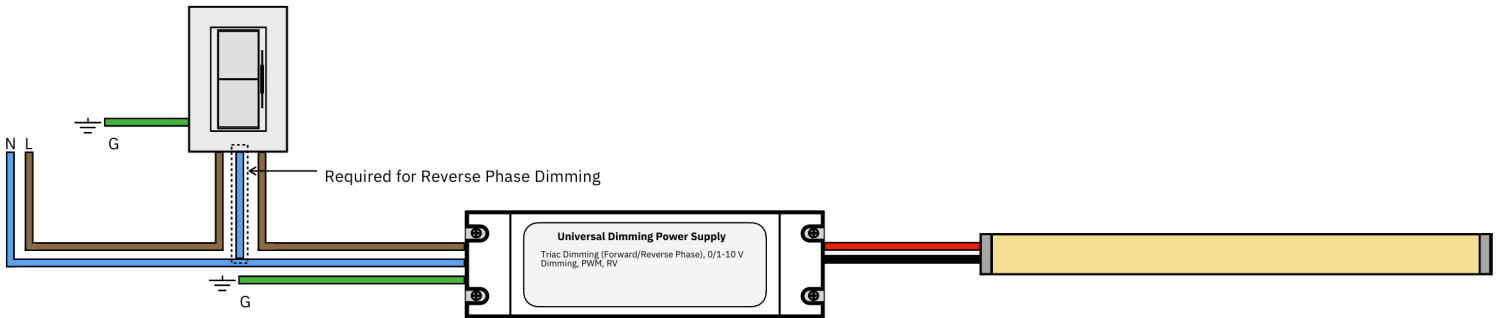
## Standard Wall Switch Configuration



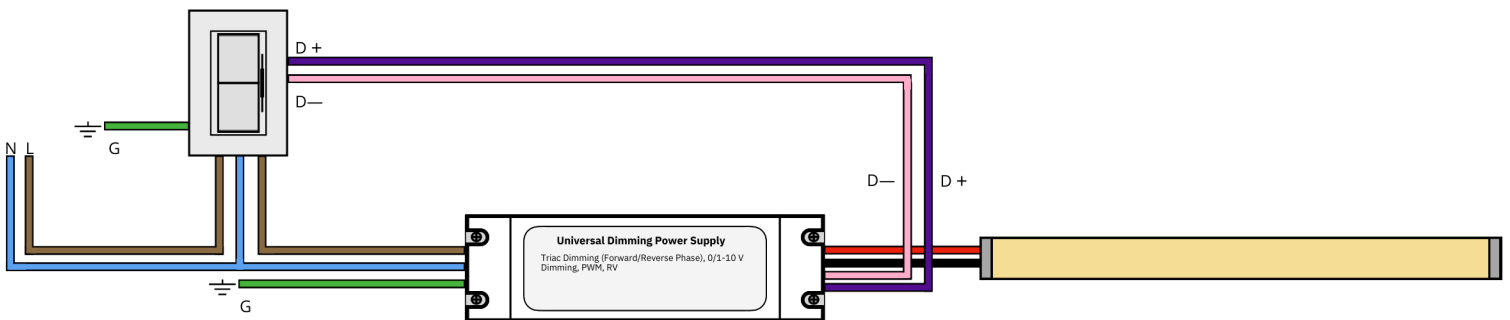
120/240VAC On/Off Switch



## Triac (Reverse/Forward Phase) Dimming Configuration



## Low Voltage (0-10 V) Dimming Configuration



## WIRELESS CONTROLLERS

### Radio Frequency (RF 2.4 GHz) + Zigbee 3.0 Receivers



**SKU:**CLS035Z+  
**PART NAME:** Single/Dual LED Control



**SKU:**CLS037Z+  
**PART NAME:** RGBW Zigbee/RF LED Control



**SKU:**CLS-PA5  
**PART NAME:** 5-Channel Signal Amplifier 15A

### Radio Frequency (RF 2.4 GHz) Remote



**SKU:**CLS087  
**PART NAME:** Touch Dimming Remote Control



**SKU:**CLSS2W  
**PART NAME:** Touch RGBW Remote Control



**SKU:**CLS089  
**PART NAME:** 8-Zone Touch RGBW Remote Control

### ZigBee Protocol



**SKU:**CLS-CL-GZ  
**PART NAME:**Wired Zigbee Gateway (128 devices)



**SKU:**CLS-CL-GZWL  
**PART NAME:**Wireless Zigbee Gateway (64 devices)

### Manual 30A Dimmer

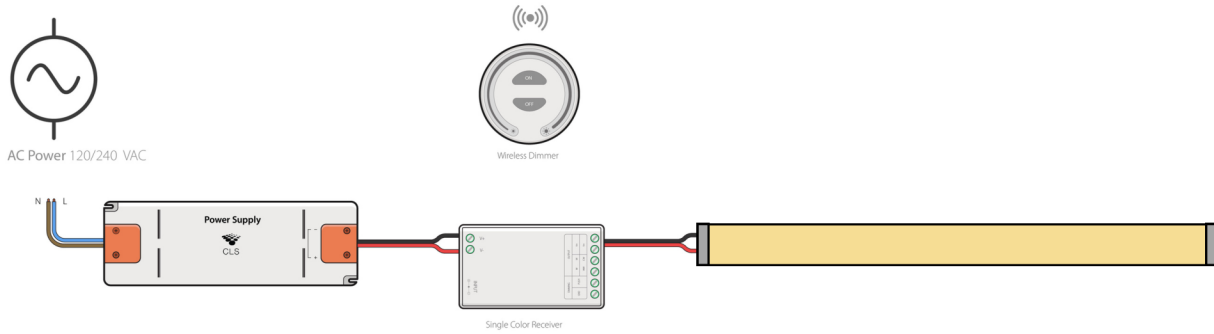


**SKU:**LC-DIM-30A  
**PART NAME:** LED Rotary Dimmer

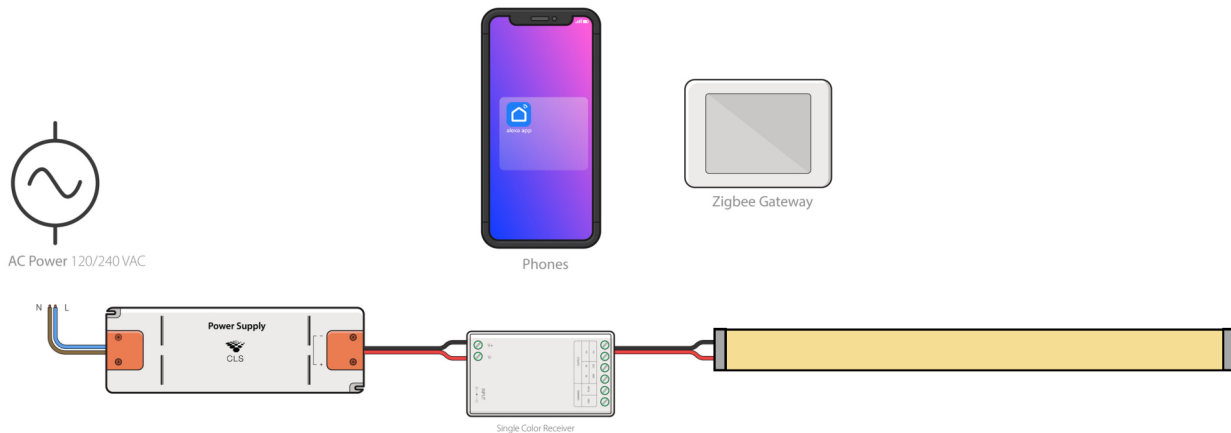


# WIRING DIAGRAMS FOR SINGLE COLOUR

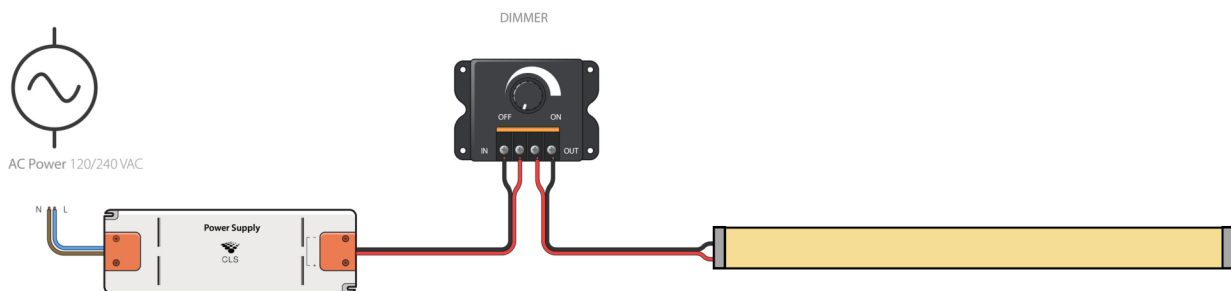
## Wireless Remote Configuration



## Wireless Zigbee Configuration

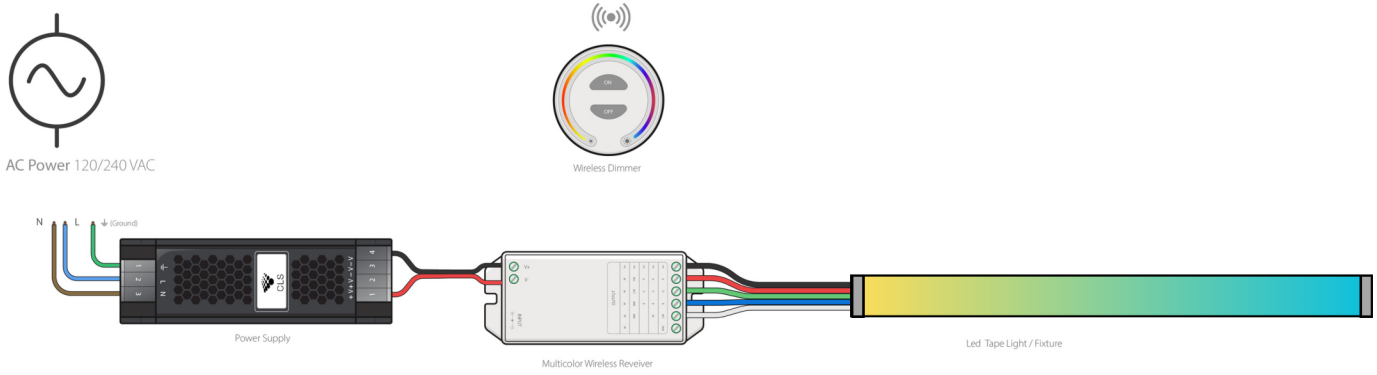


## Manual Dimming Configuration

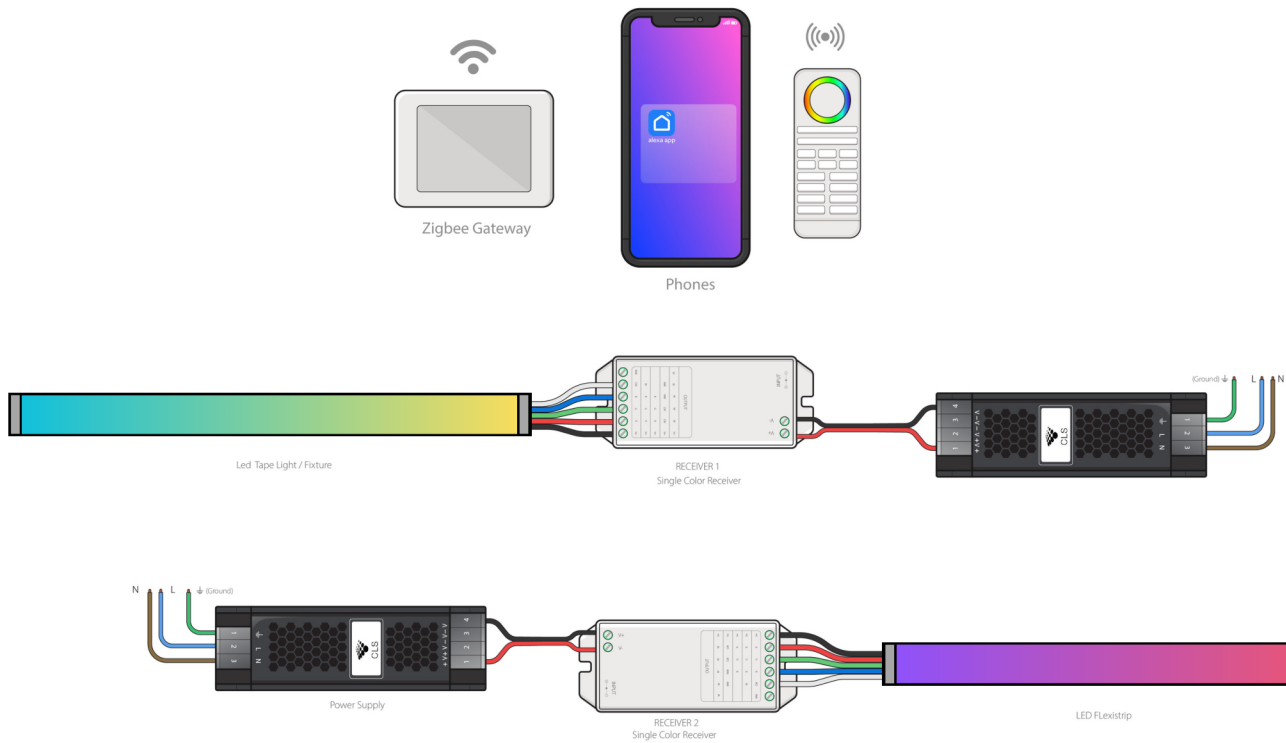


# WIRING DIAGRAMS FOR RGBW

## Wireless Wireless Remote Configuration

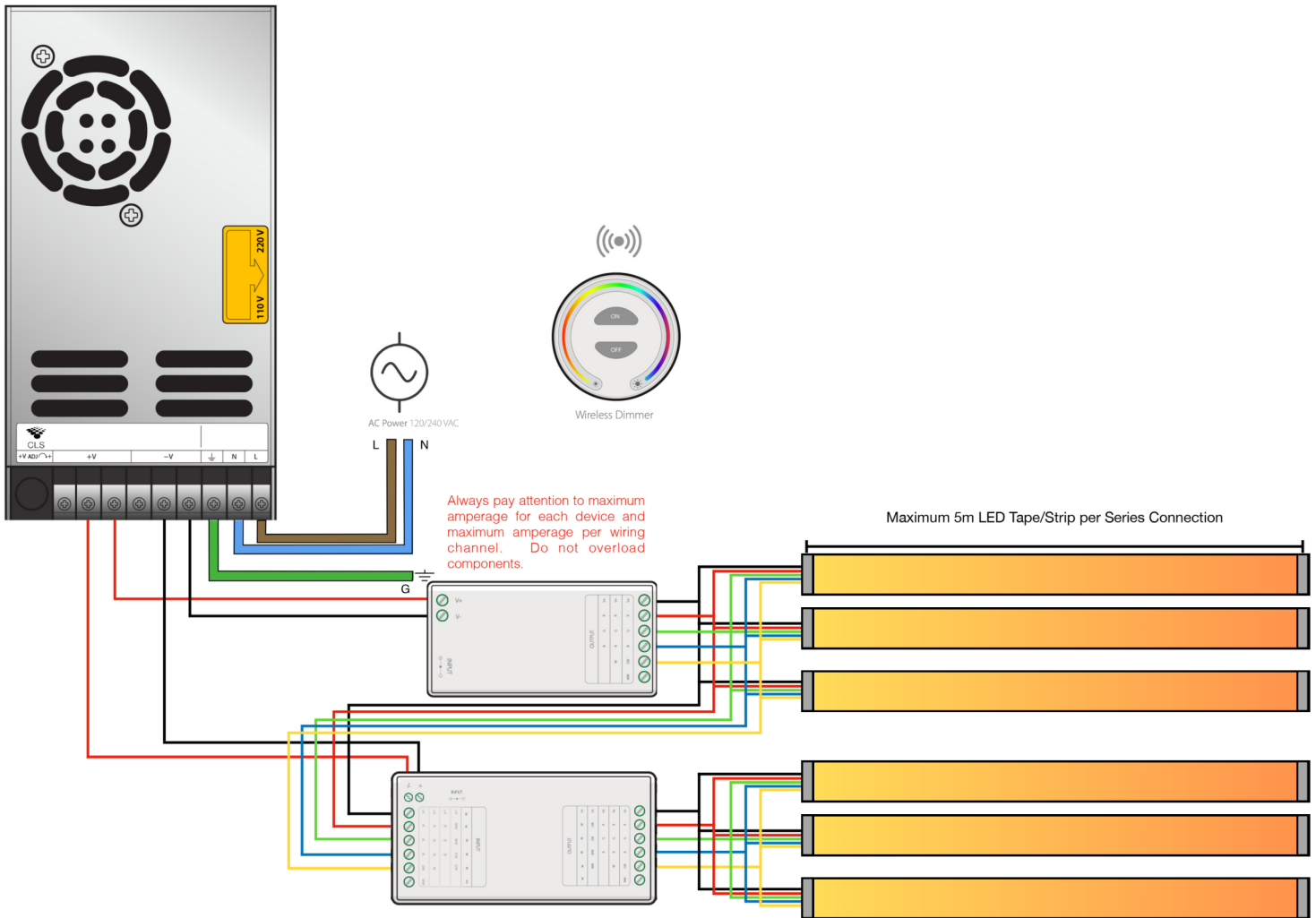


## Wireless Multi-Zone Remote Configuration with Zigbee



# WIRING DIAGRAMS

## Signal Amplifier Configuration with Wireless Remote





## Safety & Disclosures

---

1. Installation must be in accordance with local and national electrical code regulations.
2. To ensure safety and correct installation, our strips are intended to be installed by a qualified, licensed electrician.
3. Only install with a Class 2 DC Constant Voltage LED driver to meet UL requirements. 4. Do not install in an environment where excessive heat may exist.
5. LED strip lights must be handled with care. Excessive handling, bending, and pressure may damage the product, voiding the warranty.
6. Do not secure this product with any kind of staples, nails, or materials that could potentially damage the product in any way. Keep these instructions for future reference.
7. Do not cover this product with any kind of combustible material such as paper, fabrics, etc.
8. Each maximum run requires a dedicated power feed from the driver. Do not extend beyond the recommended maximum run length.
9. Make sure the appropriate gauge wire is installed between the driver, LEDs, and any dimmers. When choosing wire, calculate voltage drop, maximum amperage rating, and the location ratings on the wire. Improper wire selection and installation could overheat wires, and cause fire.
10. Do not modify the product beyond instructions or warranty will be void.
11. We reserve the right to modify and improve the design of our fixtures without prior notice. Although we try our best to order the same colors every time, due to changes in technology and phosphors over time, we cannot guarantee to match existing installed fixtures for subsequent orders or replacements in regards to product appearance, CCT, or lumen output.
12. Do not install product with the majority of the product unsupported. Allowing the product to be suspended or dangling while installing may cause damage to the PCB due to the weight of the strip and/or spool.

## Warranty

---

Caribbean LED Solutions hereby warrants that the products manufactured and/or distributed by us are merchantable and free from defects in material and workmanship and in conformity with standard specifications. The specifications referred to are the individual product guidelines. Materials and components are covered by limited warranty from the date of purchase for a period of three (3) year unless specified in our invoice description.

Our warranty shall not apply to normal wear and tear or in the event products are damaged as a result of misuse, abuse, neglect, accident, improper application, modification or repair and attachments to the product not approved by us. These factors will nullify the warranty:

- Not using a line conditioner or surge protector to connect dimmable LEDs.
- Caribbean LED Solutions will need to confirm this is connection before a warranty is issued.
- Not using voltage regulated supply to connect LEDs product or controls where specified.
- Connecting dimmers to non-dimmable LEDs
- Overloading a power supply.
- Operating LEDs out of specified working hours (Example: Using a residential grade LED in a commercial setting)
- Improper connection of power supplies, LED products or controls.
- Use of product in hot environments with poor ventilation.
- Use of product in enclosed fixtures with poor ventilation.
- Use of Non-wet location LEDs in wet/moist areas.
- Electrical surges or low-voltage.
- Faulty electrical installations.
- Acts of God.

Caribbean LED Solutions Limited shall have the right to inspect any products claimed as a defective product at the buyer's premises, or require the buyer to return the product to us for inspection at our premises.

Our exclusive remedy for a defective product that fails under normal use will be repaired or replaced with a comparable product at no cost for the replacement product.



☎ 868 235 4257 (4LED)

🌐 [www.caribbeanledsolutions.com](http://www.caribbeanledsolutions.com)

✉ [hello@caribbeanledsolutions.com](mailto:hello@caribbeanledsolutions.com)